

NIROH®



Piet Dining Table
by Rohdesign Studio

Piet Dining Table

by Rohdesign Studio

Der Piet Dining Table ist die erste Weiterentwicklung unseres Tischsystems. Die Kombination aus massivem Holz und den weichen fließenden Linien zeichnet diesen Esstisch aus. Große handgedrechselte Module zieren die Tischsäule, worauf eine runde Tischplatte aus Eiche, oder Fichte ruht.

EINFACH UND WANDELBAR, MINIMALISTISCH UND DENNOCH VERSPIELT.



PRODUCT OPTIONS

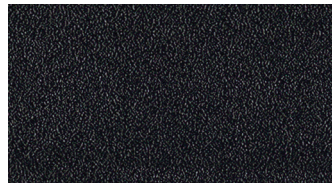
TABLE TOP



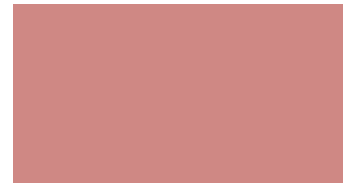
STEEL BLUE POWDER COATED



STEEL CREME POWDER COATED



STEEL BLACK POWDER COATED



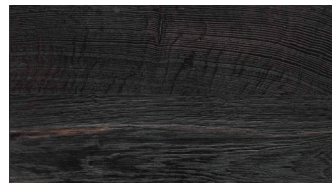
STEEL CORAL POWDER COATED



LEACHED AND SOAPED SPRUCE



SOAPED OAK



BLACK BURNED+ OILED OAK

MODULES

LEACHED AND SOAPED SPRUCE
SOAPED OAK
BLACK BURNED+ OILED OAK

BASE

POWDER COATED BLUE
POWDER COATED CREME
POWDER COATED BLACK
POWDER COATED CORAL

Piet Dining Table

by Rohdesign Studio

TECHNICAL SPECIFICATIONS

PRODUCT TYPE

Dining Table

MATERIALS

Oak or Spruce, Steel

PACKAGING TYPE

Brown box

ENVIRONMENT

Indoor

DIMENSIONS ¹⁾

H: 760mm

ø 1200mm

MATERIALS & MAINTENANCE

Please visit niroh.de for materials and care and maintenance instructions.

COLOUR

Tabletop

Powder coated blue

Powder coated creme

Powder coated black

Powder coated coral

Oak soaped

Black burned Oak

Spruce leached and soaped

Modules

Spruce leached and soaped

Oak soaped

Black burned Oak

Base

Powder coated blue

Powder coated creme

Powder coated black

Powder coated coral

All our products are made from natural materials according to traditional craftsmanship. We ask for your understanding that there may be dimensional deviations may occur - if the deviation is within the specified tolerance, this is not a reason for complaint.

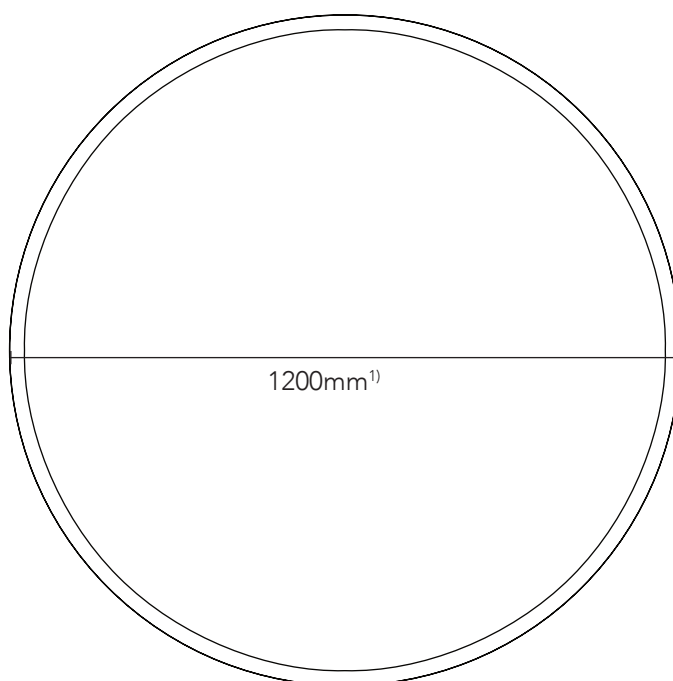
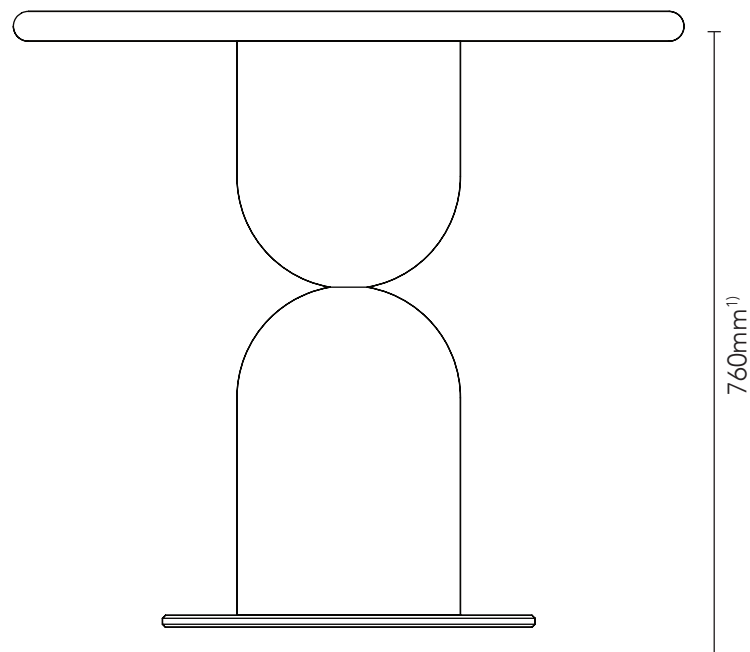
1)Tolerance: +/- 15mm

2)Tolerance: +/- 15%

Piet Dining Table

by Rohdesign Studio

TECHNICAL DRAWING



All our products are made from natural materials according to traditional craftsmanship. We ask for your understanding that there may be dimensional deviations may occur - if the deviation is within the specified tolerance, this is not a reason for complaint.

1)Tolerance: +/- 15mm