

# NIROH®



Taro Coffee Table  
by Rohdesign Studio

# Taro Coffee Table

by Rohdesign Studio

Inspiziert von japanischen und skandinavischen Designs, steht dieser Beistelltisch für Raffinesse und Minimalismus. Mit einer schlanken Silhouette zeigt er sich langlebig und elegant in starker Präsenz. Die zweigeteilte Tischplatte mit Fuge und die Stahlverbindungsstücke sorgen für subtile Designdetails.

RAFFINIERT, MINIMALISTISCH, LANGLEBIG, STARK UND ELEGANT



## PRODUCT OPTIONS

### TABLE



NATURAL SPRUCE



NATURAL OAK



BLACK BURNED+ OILED OAK

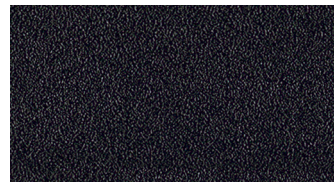
### CONNECTOR STEEL



STEEL BLUE POWDER COATED



STEEL CREME POWDER COATED



STEEL BLACK POWDER COATED



STEEL CORAL POWDER COATED

# Taro Coffee Table

by Rohdesign Studio

---

## TECHNICAL SPECIFICATIONS

---

### PRODUCT TYPE

Coffee table

---

### MATERIALS

Oak or Spruce, Steel

---

### PACKAGING TYPE

Brown box

---

### ENVIRONMENT

Indoor

---

### WEIGHT <sup>2)</sup>

#### Tabletop

Spruce: 4500g

Oak: 5500g

---

### MATERIALS & MAINTENANCE

Please visit [niroh.de](http://niroh.de) for materials and care and maintenance instructions.

---

### DIMENSIONS <sup>1)</sup>

L: 1050mm

W: 450mm

H: 375mm

#### Base

Spruce: 3000g

Oak: 4000g

---

### PRODUCTION PROCESS

Made from milled solid wood which is untreated or black burned.

---

### COLOUR

#### Table

Natural Oak

Black burned Oak

Natural Spruce

#### Connector

Steel blue powder coated

Steel coral powder coated

Steel black powder coated

Steel creme powder coated

---

All our products are made from natural materials according to traditional craftsmanship. We ask for your understanding that there may be dimensional deviations may occur - if the deviation is within the specified tolerance, this is not a reason for complaint.

1)Tolerance: +/- 15mm

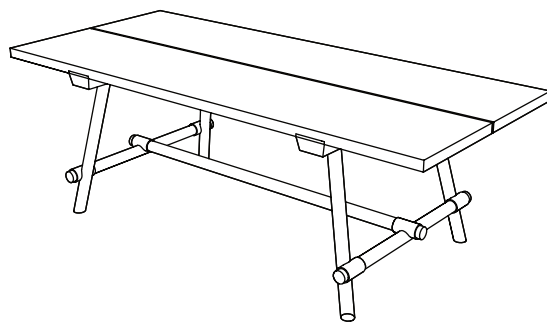
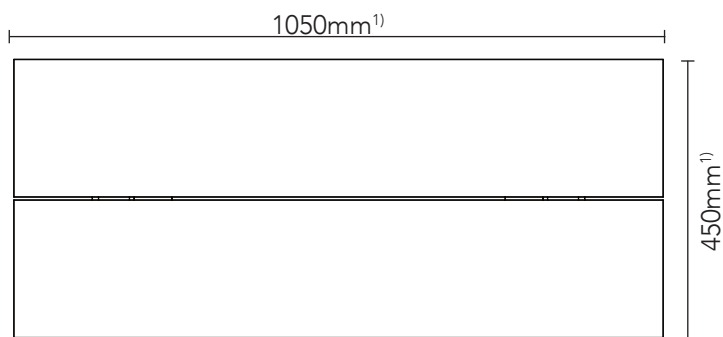
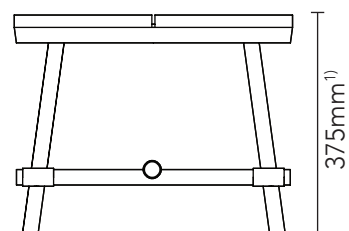
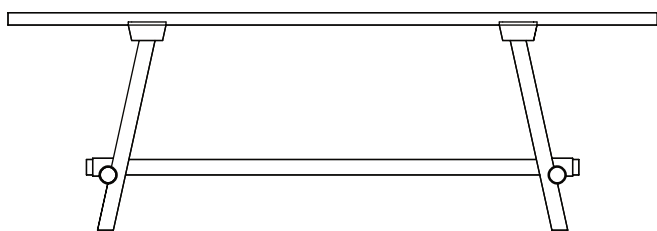
2)Tolerance: +/- 15%

# Taro Coffee Table

by Rohdesign Studio

---

## TECHNICAL DRAWING



---

All our products are made from natural materials according to traditional craftsmanship. We ask for your understanding that there may be dimensional deviations may occur - if the deviation is within the specified tolerance, this is not a reason for complaint.

1)Tolerance: +/- 15mm