

NIROH®



Taro Dining Table
by Rohdesign Studio

Taro Dining Table

by Rohdesign Studio

Inspiziert von japanischen und skandinavischen Designs, steht dieser Esstisch für Raffinesse und Minimalismus. Mit einer schlanken Silhouette zeigt er sich langlebig und elegant in starker Präsenz. Die zweigeteilte Tischplatte mit Fuge und die Stahlverbindungsstücke sorgen für subtile Designdetails.

RAFFINIERT, MINIMALISTISCH, LANGLEBIG, STARK UND ELEGANT



PRODUCT OPTIONS

TABLE



NATURAL SPRUCE



NATURAL OAK



BLACK BURNED+ OILED OAK

CONNECTOR STEEL



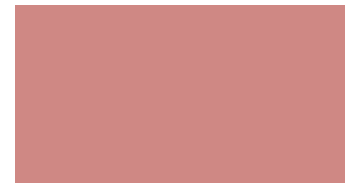
STEEL BLUE POWDER COATED



STEEL CREME POWDER COATED



STEEL BLACK POWDER COATED



STEEL CORAL POWDER COATED

Taro Dining Table

by Rohdesign Studio

TECHNICAL SPECIFICATIONS

PRODUCT TYPE

Dining table

MATERIALS

Oak or Spruce, Steel

PACKAGING TYPE

Brown box

ENVIRONMENT

Indoor

WEIGHT ²⁾

Base Spruce

16500g

Tabletop L: 2000mm, Spruce

25000g

Tabletop L: 2200mm, Spruce

28000g

Tabletop L: 2400mm, Spruce

30000g

Base Oak

23000g

Tabletop L: 200cm, Oak

33500g

Tabletop L: 220cm, Oak

37500g

Tabletop L: 240cm, Oak

34100g

COLOUR

Table

Natural Spruce

Natural Oak

Black burned Oak

Connector

Steel, blue powder coated

Steel, coral powder coated

Steel, black powder coated

Steel, creme powder coated

DIMENSIONS ¹⁾

L: 2000mm

W: 900mm

H: 750mm

L: 2000mm

L: 2200mm

W: 900mm

H: 750mm

L: 2200mm

L: 2400mm

W: 900mm

H: 750mm

L: 2400mm

MATERIALS & MAINTENANCE

Please visit niroh.de for materials and care and maintenance instructions.

All our products are made from natural materials according to traditional craftsmanship. We ask for your understanding that there may be dimensional deviations may occur - if the deviation is within the specified tolerance, this is not a reason for complaint.

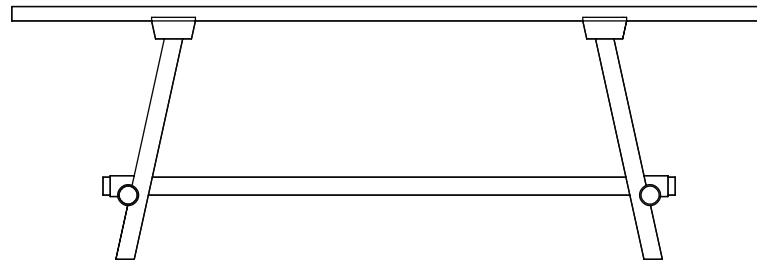
1)Tolerance: +/- 15mm

2)Tolerance: +/- 15%

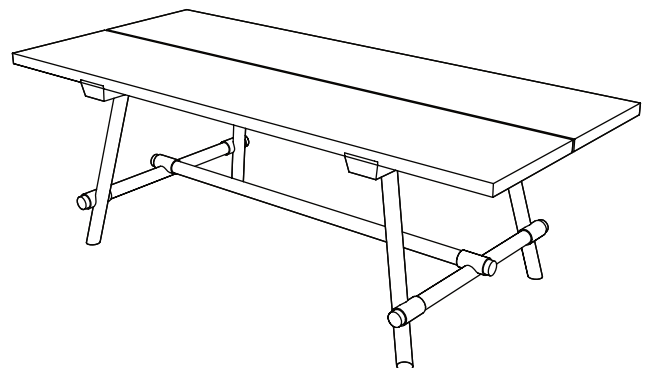
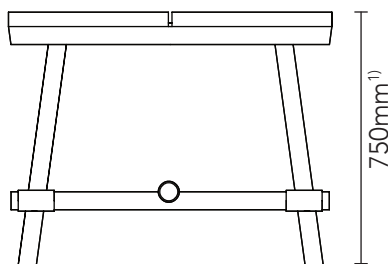
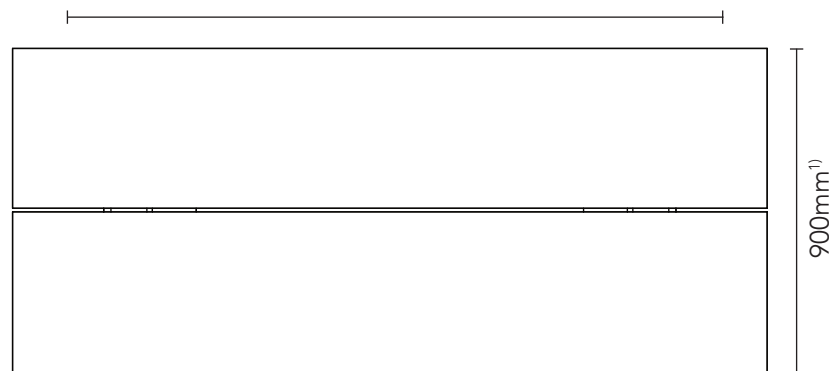
Taro Dining Table

by Rohdesign Studio

TECHNICAL DRAWING



2000/2200/2400mm¹⁾



All our products are made from natural materials according to traditional craftsmanship. We ask for your understanding that there may be dimensional deviations may occur - if the deviation is within the specified tolerance, this is not a reason for complaint.
1)Tolerance: +/- 15mm